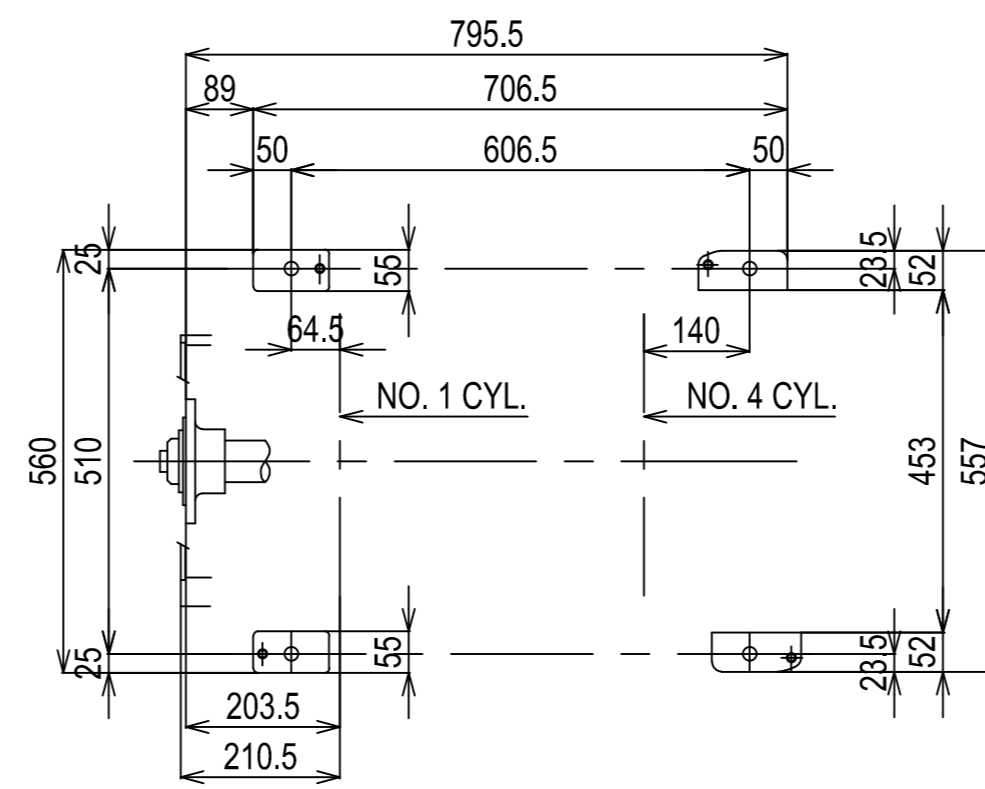
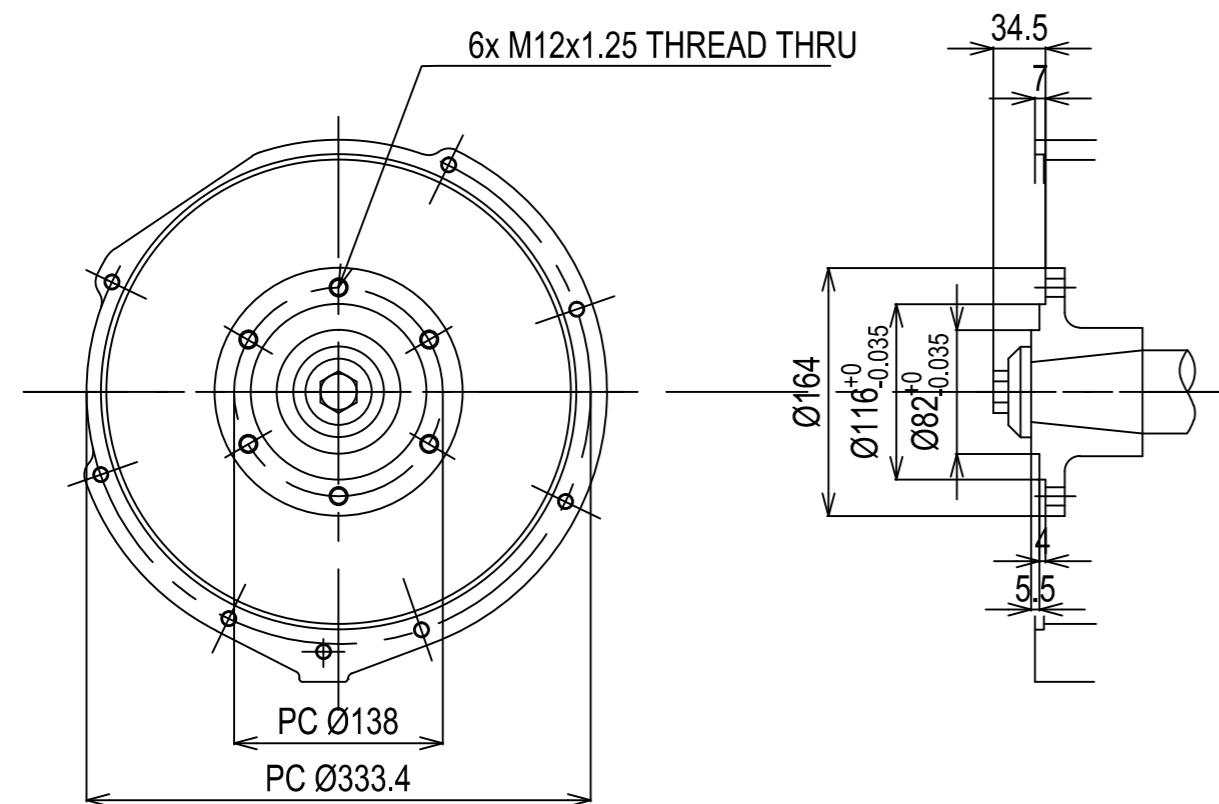
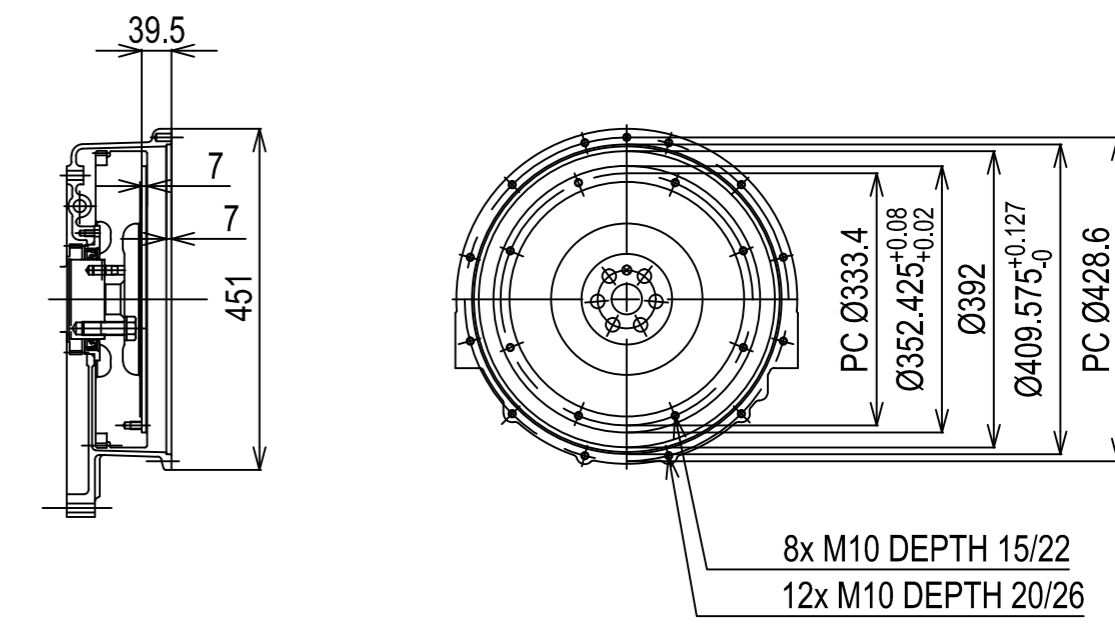


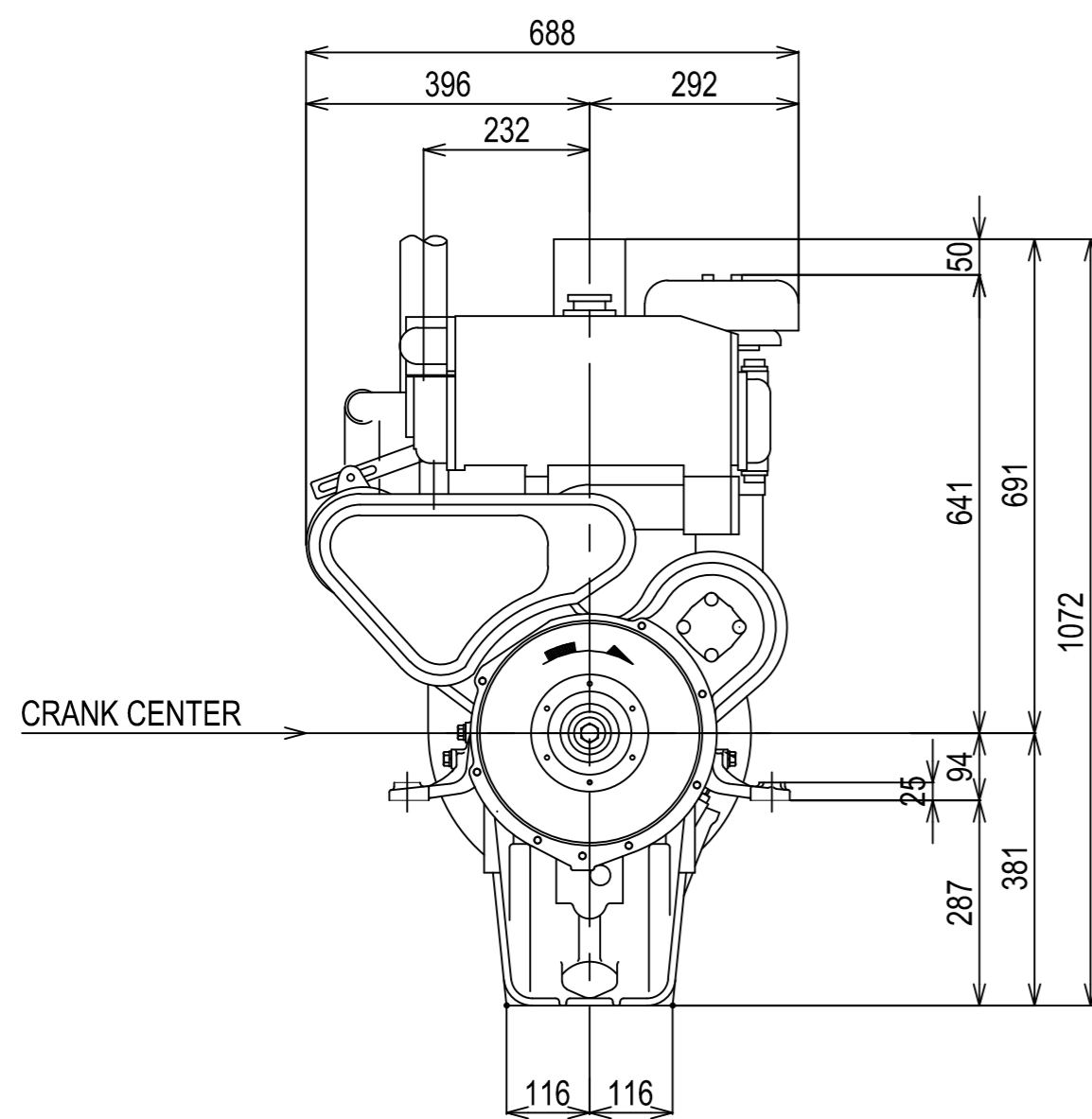
DETAIL OF FRONT PTO (1:5)



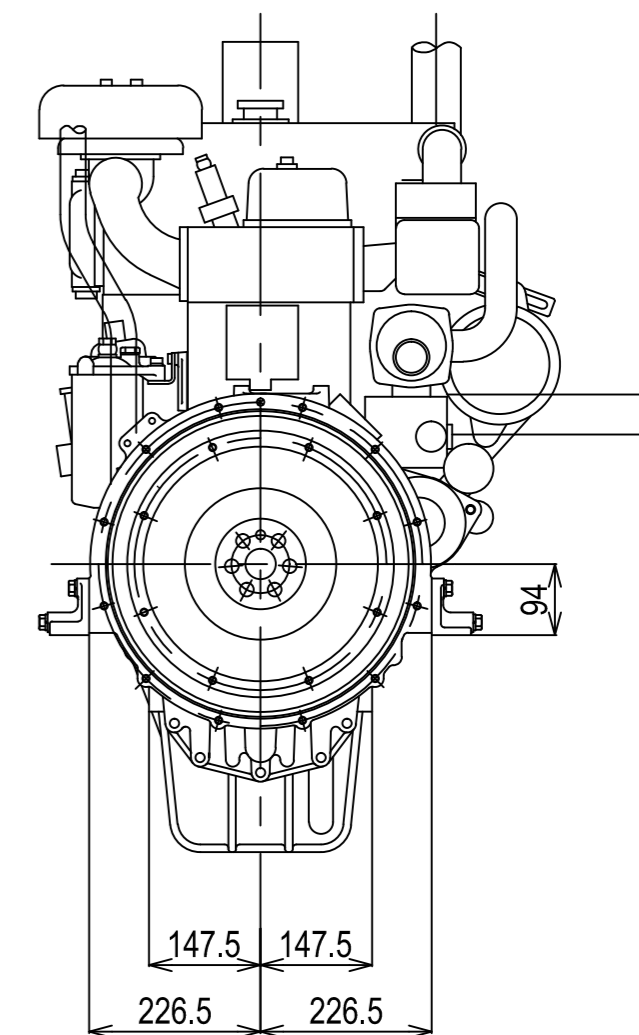
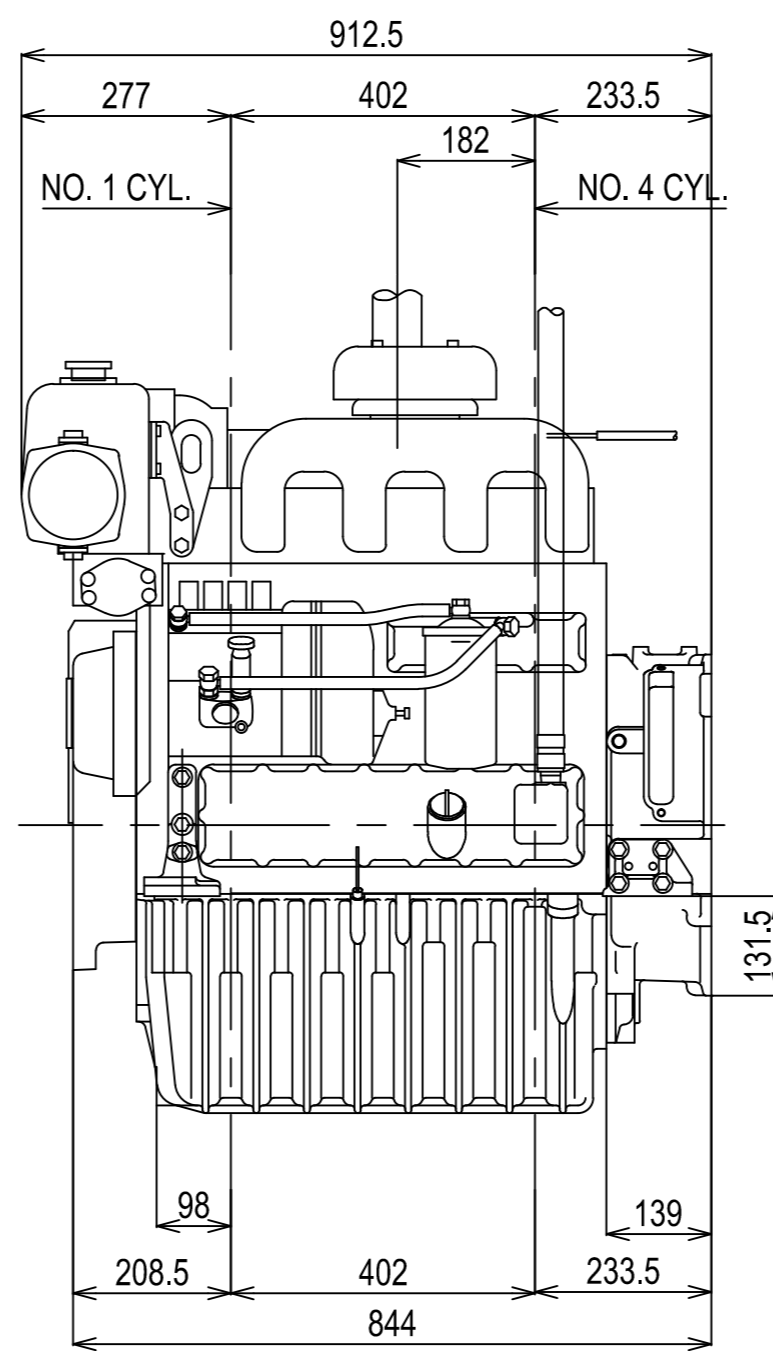
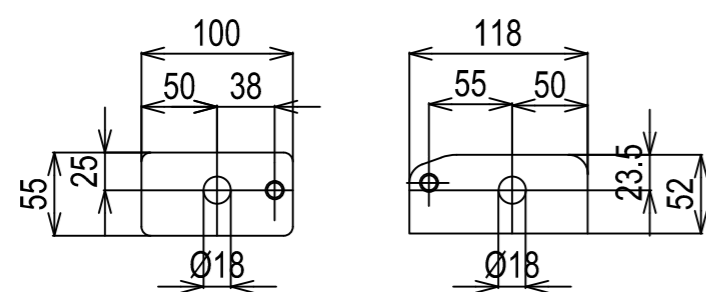
DETAIL OF FLYWHEEL



Flywheel housing & Flywheel : SAE #3 & #11-1/2



DETAIL OF MOUNTING BLOCK (1:5)



Engine:	4CHE3	Release:	-
Scale:	1:10	Date:	01-04-2013
		Dimensions:	mm